

653.1cs, 1.1cs

INSTRUCTIONS

 Infinity

KAPPASERIES

Thank you for purchasing an Infinity Kappa Series 3-Way Component System. We've organized this manual to make your installation as simple and trouble-free as possible. Please read it thoroughly before proceeding. Remember to keep your sales receipt with this manual in a safe place so both are available for future reference.



MIDRANGE INSTALLATION

TWEETER INSTALLATION

Bi-Amp

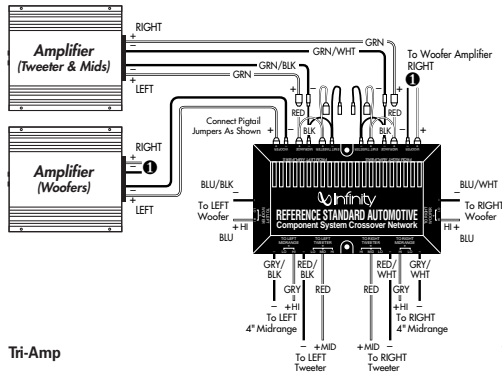


Figure 2. This application shows connections for a Kappa1cs system and two stereo amplifiers.

Tri-Amp

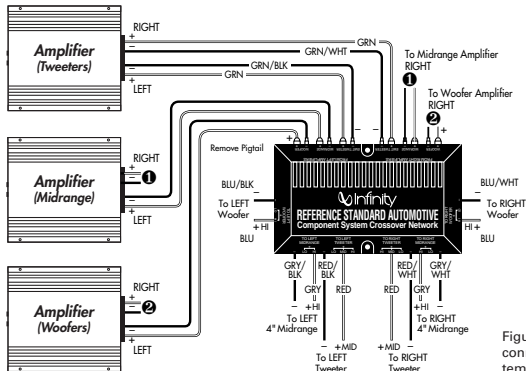


Figure 3. This application shows connections for a Kappa1cs system and three stereo amplifiers.

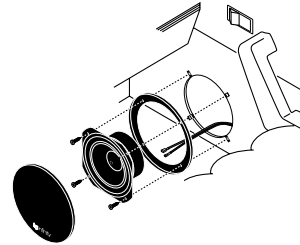


Figure 5. Installing a Kappa 1.1cs/653.1cs midrange driver in a door panel.

WOOFER INSTALLATION

Figure 4. Installing a Kappa 1.1cs/653.1cs woofer above a deck or (with the enclosed spacer) below a deck.

NOTE: Use the mounting clips as nuts to secure the below-deck installation.

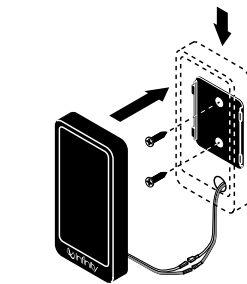
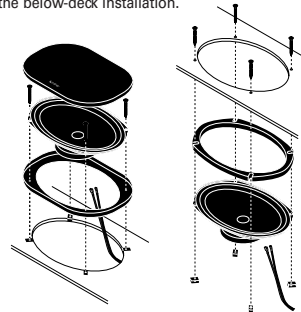


Figure 6. After installing the surface-mount plate, slide the Kappa 1.1cs EMIT-N™ tweeter down on the plate to lock in place.

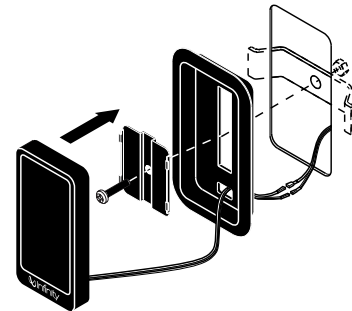


Figure 7. After sliding down the flush-mount clip onto the back of the Kappa 1.1cs EMIT-N tweeter, use the supplied hardware to fasten the cup to the panel.

ADJUSTING THE SOUND

After you have connected all the speakers to the crossover according to the connection diagram, you may adjust the overall sound of the system to suit your taste.

The output of the woofers may be decreased by moving the woofer + connection at the crossover to the low position.

The output of the midrange may be decreased by moving the midrange + connection at the crossover to the low position.

The output of the tweeter may be increased by moving the tweeter + connection at the crossover to the high position or decreased by moving it to the low position.

A NOTE ON POWER HANDLING

The speakers used in Kappa Series 3-Way Component Systems are designed to produce reasonable volume levels with little amplifier power. However, the addition of an amplifier to drive your speakers and a subwoofer will enhance the dynamic range of your system, and help overcome the ambient noise in a moving vehicle. Kappa speakers are designed to handle the power of a dedicated amplifier driven at or below its rated power. If an amplifier is driven far above its rated power, the output signal will "clip," and the additional power present in a clipped signal can damage any speaker. Distorted or "fuzzy" sound from your speakers is an indication that the amplifier has exceeded its rated power, and you should reduce the volume level.

GENERAL CARE

The loudspeaker grilles may be cleaned with a slightly damp cloth. Do not use any cleaners or solvents on the grilles or the speaker cones.

SPECIFICATIONS

653.1cs

Type: 6-1/2" 3-Way System
Speaker Impedance: 4 ohms
Power Handling: 120 watts per channel
Frequency Response (±3dB): 50Hz ~ 45kHz
Sensitivity: 89Hz @ 2.83 V, 1 watt
Crossover Frequencies: Woofer
Hi terminal: 210Hz
Lo terminal: 130Hz
Midrange: 400Hz
Tweeter: 12.5kHz

Mounting Depth,
Drop-in Woofer: 2-1/2" (675 mm)
Cut-out
Diameter Woofer: 5-11/16" (149 mm)
Mounting Depth,
Drop-in Midrange: 1-13/16" (46 mm)
Cut-out
Diameter Midrange: 3-3/4" (96 mm)
Mounting
Depth Tweeter: 1" (25.4 mm)
Cut-out
Diameter Tweeter: 3-3/8" x 1-3/4"
(84.6 mm x 44.7 mm)

1.1cs

Type: 6" x 9" 3-Way System
Speaker Impedance: 4 ohms
Power Handling: 200 watts per channel
Frequency Response (±3dB): 36Hz ~ 45kHz
Sensitivity: 89Hz @ 2.83 V, 1 watt
Crossover Frequencies: Woofer
Hi terminal: 210Hz
Lo terminal: 130Hz
Midrange: 400Hz
Tweeter: 12.5kHz

Mounting Depth
Drop-in Woofer: 2-9/16" (65 mm)
Cut-out
Diameter Woofer: 5-11/16" x 8-3/4"
(149 mm x 223 mm)
Mounting Depth,
Drop-in Midrange: 1-13/16" (46 mm)
Cut-out
Diameter Midrange: 3-3/4" (96 mm)
Mounting
Depth Tweeter: 1" (25.4 mm)
Cut-out
Diameter Tweeter: 3-3/8" x 1-3/4"
(84.6 mm x 44.7 mm)

DECLARATION OF CONFORMITY



We, Infinity Systems AS
Kongevejen 194B
DK-3460 Birkerød
DENMARK

declare in own responsibility, that the products described in this owner's manual are in compliance with technical standards:
EN 50 081-1/1992
EN 50 082-1/0.1995

Steen Michaelsen
Infinity Systems AS
Birkerød, DENMARK 2/88